

# Sensorflow 21 Electronic Concealed Shower Valve & Sensor, Link

## ILLUSTRATED

**A4186** Sensorflow 21 Electronic concealed shower valve and sensor, link box

### ILLUSTRATED PRODUCT DETAILS

**Weights**

**A4186** 1.60 KG

**Finishes**

**A4186**  Chrome (AA)

**Materials**

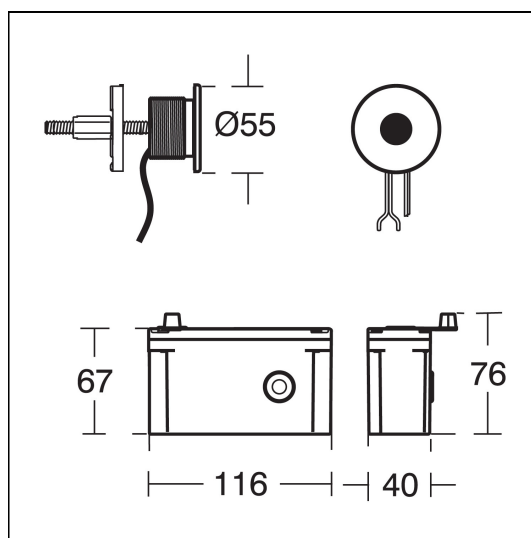
**A4186** Chrome Plated Brass

**Flow rates**

**A4186** 4.7 Litres per minute @ 3 bar pressure

**Special Notes**

Designed to be supplied with pre-mixed water.  
 Consideration should be given to safe hot water delivery and the use of an appropriate temperature reduction device, please see A5900AA (for use with 15mm pipework) or A5901AA (for use with 22mm pipework).  
 A4185AA mains sensor can have up to 5 multi-box sensors linked.  
 Minimum operating pressure 0.5 bar.



### FEATURES

